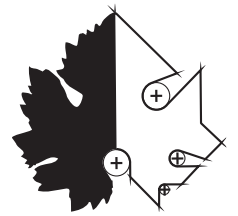


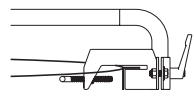
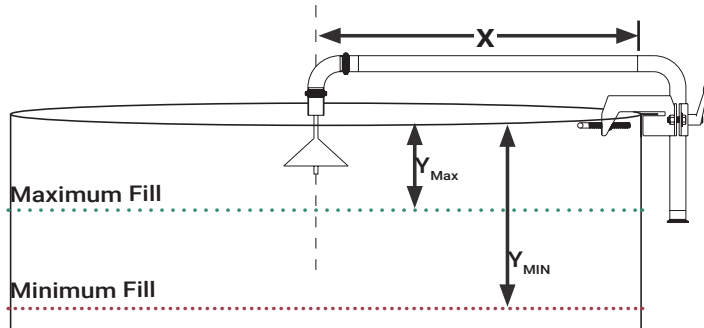
MUST Pumpover Inlet Pipe Open Top with Lip



Customer: _____ Contact: _____
 Quantity: _____ Date: _____ PO: _____

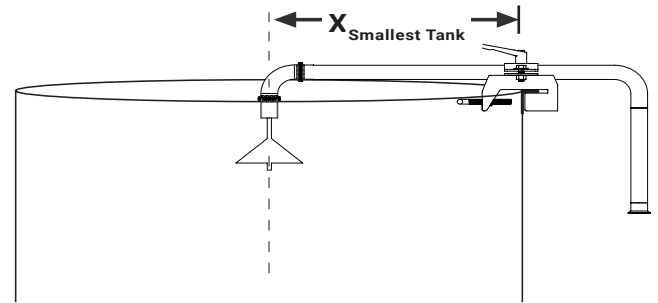
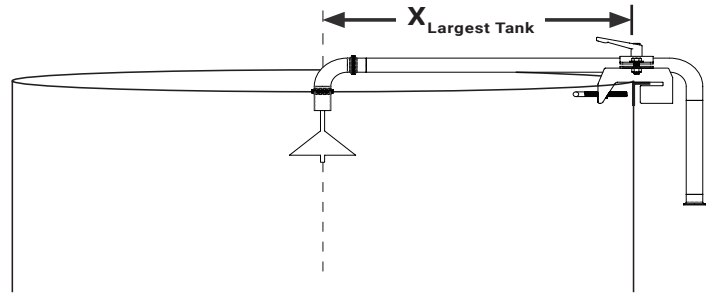
Measure from edge of tank to center of tank. (2) adjustment types available. Height adjustable for moving between tanks of the same diameter but variable fill depths. Horizontal adjustable for moving between tanks of different diameters. Questions? We can help.

Vertical Adjustable



Are there any obstructions for vertical adjustment? Catwalk? Pre-existing piping?

Horizontal Adjustable



Vertical Adjustable []

Horizontal Adjustable []

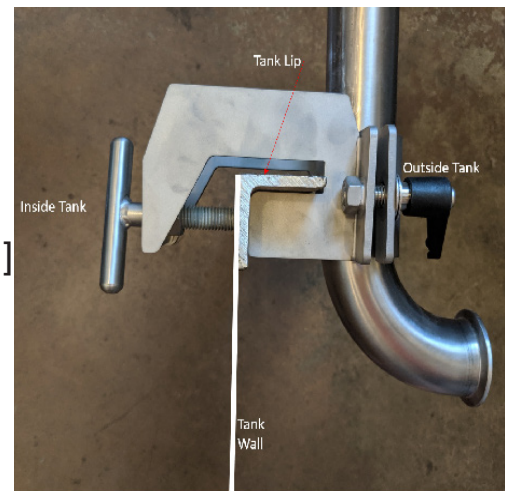
Size: 1" (1-1/2" TC) [] 2" (2" TC) [] 3" (3" TC) []

Type of irrigator: LOTUS []

Mole []

Toad []

Other: _____



Open Top Vertical Adjustment

X = Clamping surface to center of tank:

Y_{MAX} = Rim of to maximum fill height:

Y_{MIN} = Rim of tank to minimum fill height:

Open Top Horizontal Adjustment

X = Clamping surface to center of tanks:

$X_{LARGEST}$: _____

$X_{SMALLEST}$: _____