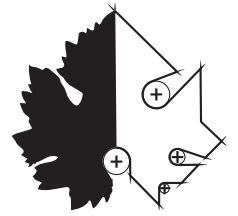


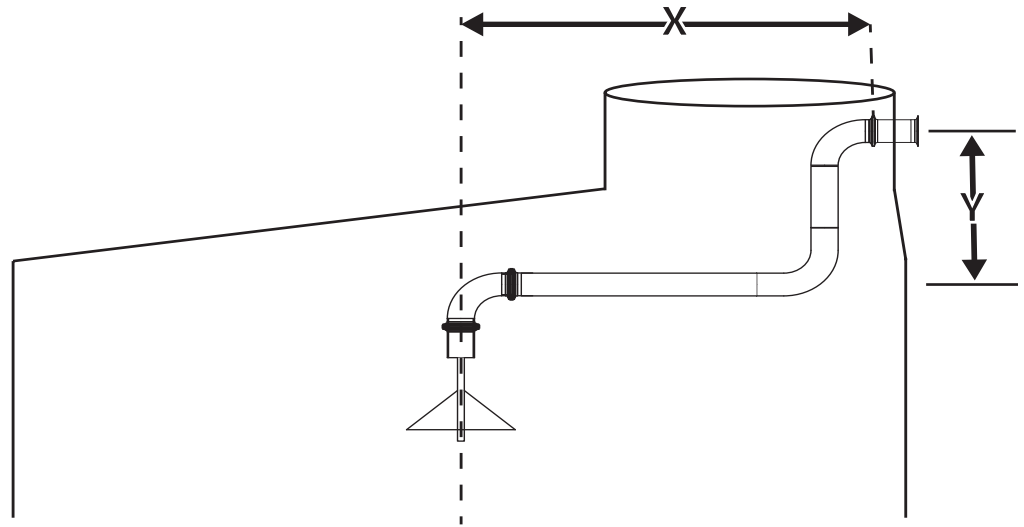
# MUST Pumpover Inlet Pipe with Pumpover Ports



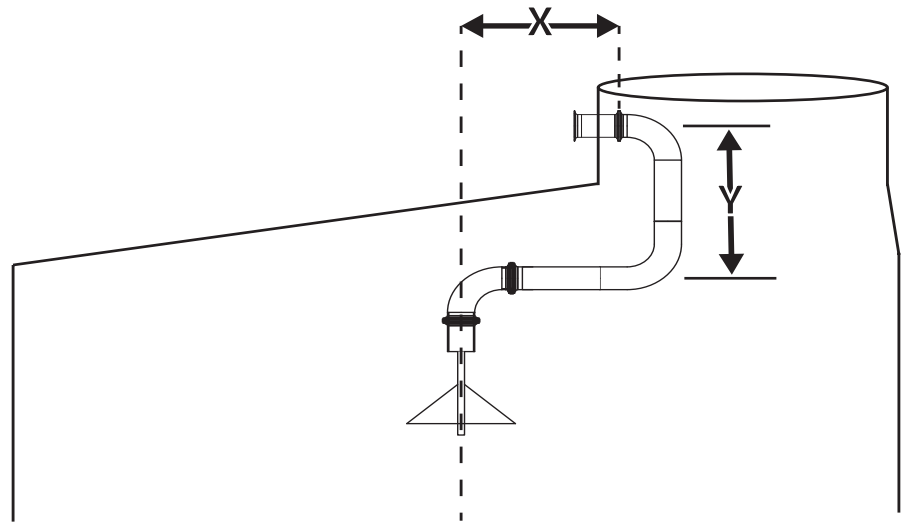
Customer: \_\_\_\_\_ Contact: \_\_\_\_\_  
Quantity: \_\_\_\_\_ Date: \_\_\_\_\_ PO: \_\_\_\_\_

Measure from internal TC clamping face to center of your tank to determine your X dimension. Y dimension is how much vertical drop you want in your setup. Questions? We can help.

**Outside Mount**



**Inside Mount**



Outside Mount [ ]

Inside Mount [ ]

Size: 1" (1-1/2" TC) [ ]    2" (2" TC) [ ]    3" (3" TC) [ ]

X = Internal TC face to center of tank: \_\_\_\_\_

Y= Amount of vertical drop: \_\_\_\_\_

Type of irrigator: LOTUS [ ]

Mole [ ]

Toad [ ]

Other: \_\_\_\_\_