



Open Top Tank Pumpover Feed Arm with Vertical Adjustment

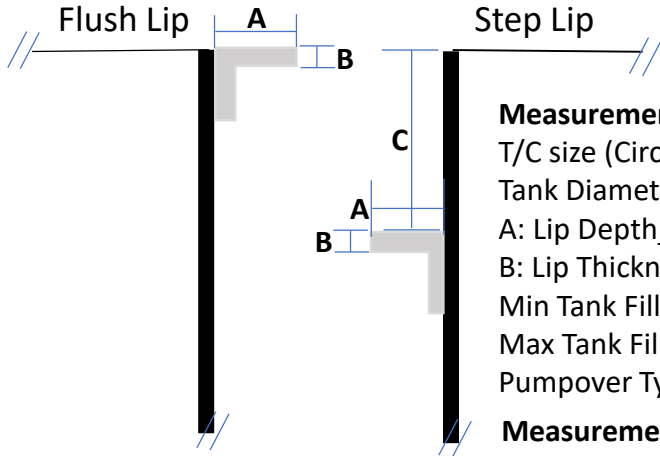
Customer: _____

Date: _____

PO: _____

Quantity: _____

TANK TYPES:



Measurements Both Tank Types

T/C size (Circle): **1-1/2"** **2"** **3"**

Tank Diameter _____

A: Lip Depth _____

B: Lip Thickness _____

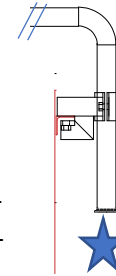
Min Tank Fill Height: Top of tank to lowest cap height _____

Max Tank Fill Height: Top of tank to highest Cap height _____

Pumpover Type (circle): **LOTUS** **TOAD** **Other** _____

Measurement Step Lip Tank specific

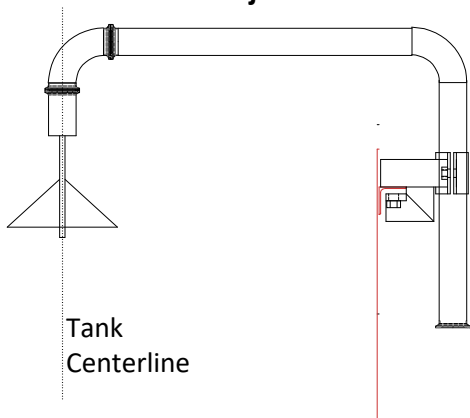
C: Vertical Height Lip to tank top _____



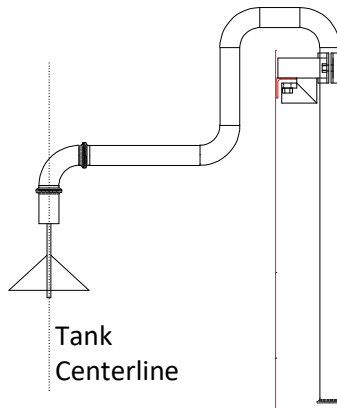
Do you have anything to impede vertical adjustment here? Ex// Railing or Catwalk
If so, measure from top of tank to impedance: _____

Feed Arm Examples depending on Specifications:

Tanks with consistent high fill heights:
Minimal Vertical Adjustment



Tanks with varied fill heights:
Maximal Vertical Adjustment



Our open top feed arms clamp to your tank by (2) adjustable position handle bolts – 1 handed tighten and release – **NO TOOLS REQUIRED**

Questions? E-mail or Call us. Our feed arms are completely customizable to suite your needs!